

ROLLER DOORS

**10 YEAR NZ
STEEL WARRANTY***

**NZ MADE QUALITY,
SECURITY & CONVENIENCE**

α **Alpha doors**
Number one in garage doors

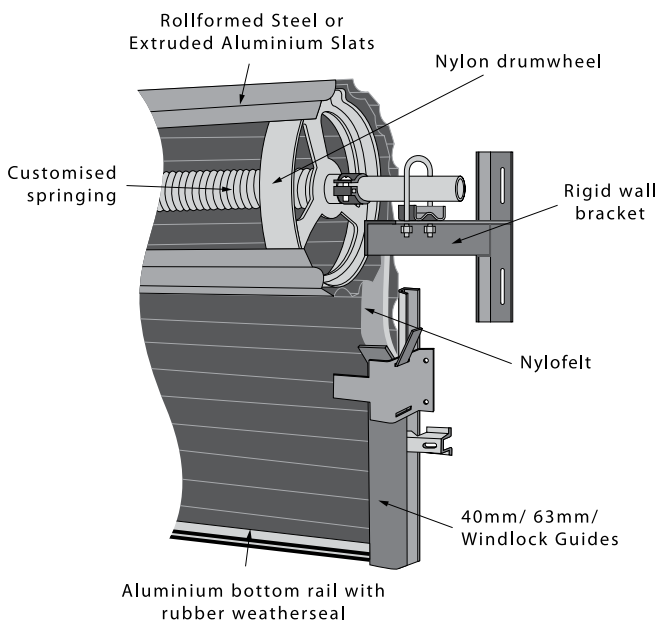
DOMESTIC/ INDUSTRIAL RANGE

Our roller door range includes benefits such as felt running strips for smooth running, steel door stops, high strength reinforced plastic drum wheels, custom built springs for correct operation and robust angled steel wall brackets far stronger than other roller door brands. Also tracks are always at least 40mm wide giving to a strong reliable door.



DOMESTIC

- Made from New Zealand Colorsteel® steel .4 or .55 gauge
- Domestic grade roller doors for openings up to 3.2m high x 3.2m wide
- Available in Zinalume or New Zealand Colorsteel
- 40mm, 63mm or windlock guides available
- Easily operated manually or automated



INDUSTRIAL

- Made from New Zealand Colorsteel® steel .55 gauge
- Commercial grade roller doors for openings up to 4.5m high x 4.8m wide
- Steel shutter roller doors for larger openings
- Available in Aluminium, Galv Steel, Zinalume or New Zealand Colorsteel
- 40mm, 63mm or windlock guides available
- Easily operated manually or automated



Available colours for steel doors.

*Conditions apply. Colours subject to change. Colour chart is only an approximation of the actual colour.

Karaka®

New Denim Blue®

Scoria®

Desert Sand®

Permanent Green®

Grey Friars®

Rivergum®

Lignite®



ROLLER SHUTTER DOORS

Heavy Industrial Range

- Made from New Zealand steel – gauges .6mm, .8mm and 1.0mm
- Steel shutter roller doors for larger openings
- Available in Aluminium, Galv Steel, or Powdercoat finish
- 40mm, 63mm or 100mm windlock guides available
- Easily operated manually or automated
- Can include Remotes and Safety Beams if required
- Aluminium slat doors ideal for marine environments
- Commercial grade auto openers or chain drive options available
- Custom built doors available for larger sizes
- Easy to replace slats if damaged
- Ventilated slats available
- Nylon end-lock to prevent lateral movement and provide a smooth quiet operation
- PVC wear strip along tracks for Advanced operation



Mist Green®

Iron Sand®

Titania®

Sandstone Grey®

Pioneer Red®

Smooth Cream®

Lichen®

Storm Blue®

Threadbow White®

Calico®

Ebony®

Stone®

Gull Grey®

FlaxPod®

Windsor Grey®

ROLLER DOOR OPENERS

AUTO OPENERS

Auto openers come in either domestic or industrial grade and can be easily included to your new roller door.



RD2 OPENER

RD2 Domestic Grade Opener

- Soft start/ close operation
- Compact design
- 1.2 million transmitter code combinations
- Suitable for single or double doors up to 16m²
- Comes with 2 remotes and a wireless wall remote
- Extras available such as 'Photo Eye' Technology (safety sensory beam)
- Wireless Keypad Entry
- Emergency release for power outages
- Emergency keyed release for exterior access, if locked out



ECR 600 OPENER

ECR600 Industrial Grade Opener

- For motorised option a springless barrel is driven by a powerful ECR600 motor (capable of lifting 600kg)
- Available in single or three Phase
- Less maintenance as no springs and few moving parts
- Chain break protection device
- Safety brake (operates like a seatbelt mechanism) to prevent free fall of door curtain in unlikely event of motor failure
- Built in manual chain operation when power is off
- Option of remote control with 'Photo Eye' protection

