

ROLLER DOOR CLEARANCES

Operation	40mm Guide		63mm Guide		Windlock Guide	
	Ideal	Minimum	Drive Safe	Non Drive	Drive End	Non Drive
Manual	NA	130	NA	155	NA	165
Chain Drive	220	130	250	155	270	165
Sprung - motorised	190	130	250	155	270	165

Door Curtain

Rolled formed steel lockseamed together to form a continuous curtain in 0.4mm & 0.55mm gauge. Available as Zinalume or Colorsteel.

Visible paint rub on door curtain is possible and particularly noticeable on dark colours. This is not covered by warranty.

Assembly

Nylon drumwheels on a 35mm diameter pipe with counterbalance springs fitted.

Nylofelt stapled to door curtain to provide smooth, quiet and maintenance free operation.

Bottom Rail

Lockseamed to the bottom sheet and fitted with a PVC weatherseal.

Guides - options are:

40mm - as standard for doors up to 4.0m wide.

63mm - for over 4.0m wide or as an option on narrower doors.

Windlock Multi-Guide - for high wind applications.

Operation

Manual: for small domestic doors

Chain Operation: operated by Planetary Gear assembly mounted on one end of the door.

Motorised:

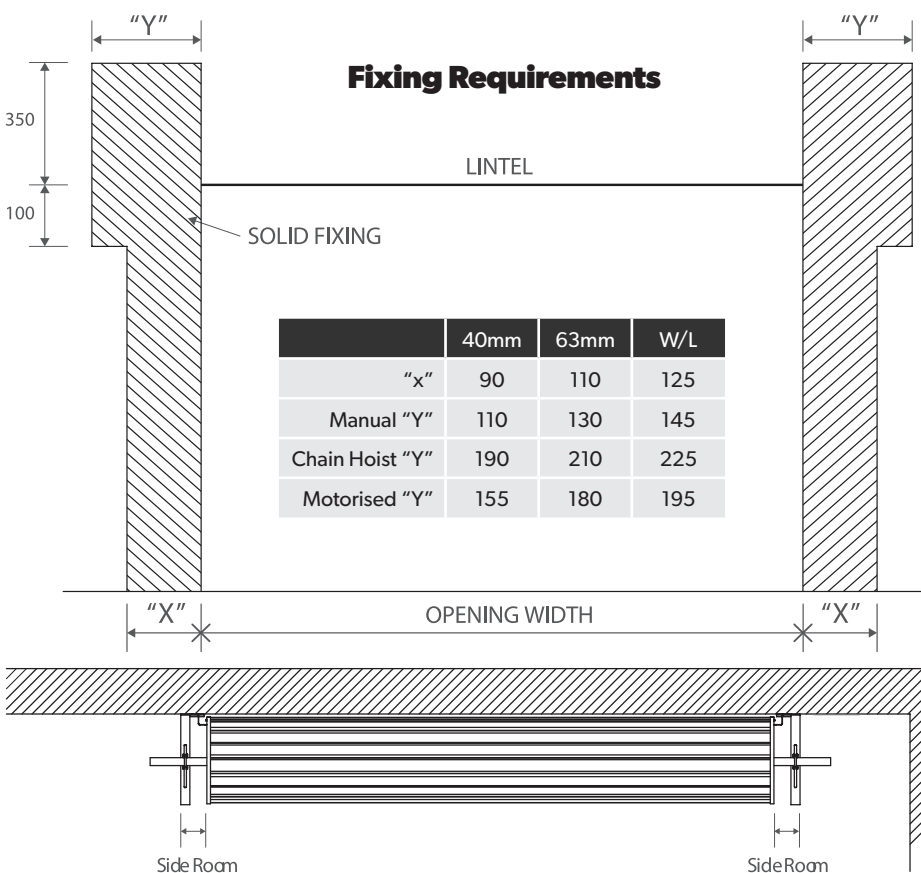
Domestic - driven by a Doorworks RD2 Automatic Opener complete with x2 remotes, wallswitch, safety reversing.

Commercial - driven by Jielong ECR400 Single Phase.

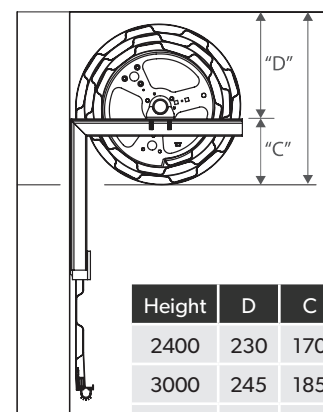
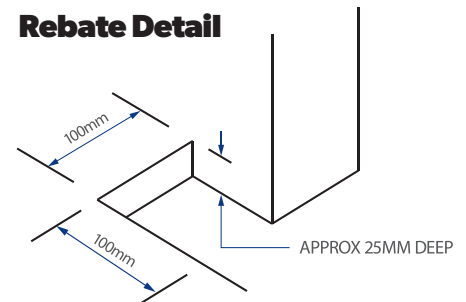
- Complete with UP/STOP/DOWN Controller
- Option of remote controls and photo eyebeams

SPECS

Door Clearances & dimensions



Rebate Detail



Height	D	C	Headroom
2400	230	170	400
3000	245	185	430
3600	260	200	460
4200	275	215	490
4800	290	230	520