

# PERSONAL ACCESS DOORS 'PA DOORS'

## PA DOOR SIZES

PA Door	Width	Height	Thickness
Standard Opening Size	820	2000	
Standard Actual Door Size	810	1980	38
Custom Opening Size	1200 max	2200 max	
Custom Actual Door Size	1190 max	2180 max	38

### Hanging

PA doors are universal so they can be either lefthand hung or righthand hung. PA doors are recommended to be 'open in' but can be adapted on-site to 'open out'.

### Rebate

PA Doors can be fitted if no rebate is in place. Measurements are to be taken from floor level not inside rebate.

### Frame

Not included (loose door) see below for suggested detail, flashings can be produced as required by your roofing supplier

### Included

#### Lockset:

Lever lockset with push button lock and keys

#### Lockset Hole:

Pre drilled 54mm hole for lockset in centre

#### Hinges:

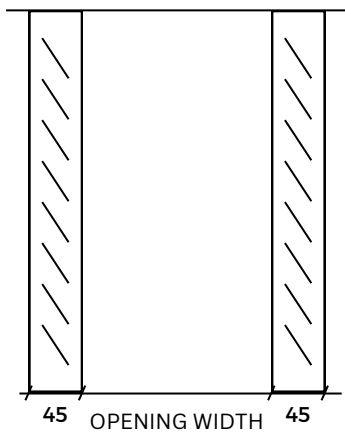
Zinc plated hinges with screw fixings (timber)

#### Weatherseal:

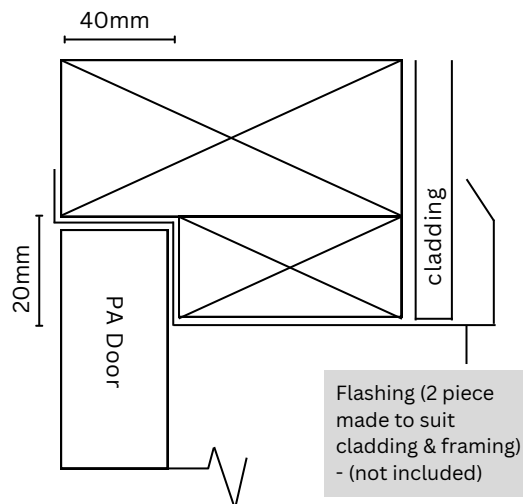
Mohair weather seal included

## SPECS

### Fixing Requirements



### Jamb Detail



### Head Detail

